



POLYCOM®

Introducing:

SoundPoint  3.0

Models: SE-220 & SE-225

March, 2001

# SoundPoint Pro Basics

*Introducing* SoundPoint  3.0

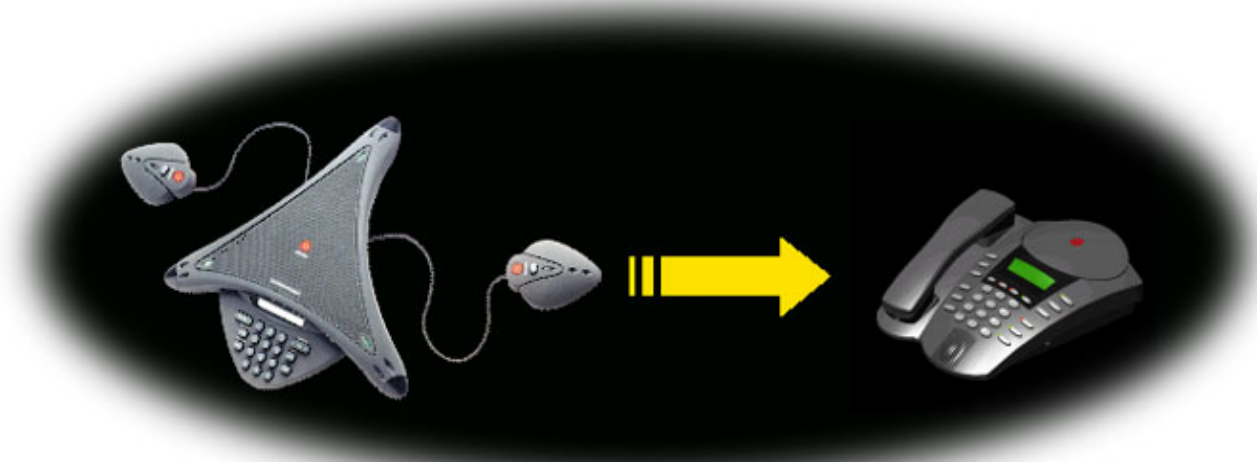
# SoundPoint Pro is Not a Speakerphone . . .



- SoundPoint Pro is a fully-featured Professional Conference Phone for the Desktop / Office
- It has all the features and functionality you need in a business telephone combined with Polycom's famous Acoustic Clarity Technology™ for crystal clear conferencing right in your office!

Introducing  3.0

# Professional Conferencing from Your Desktop



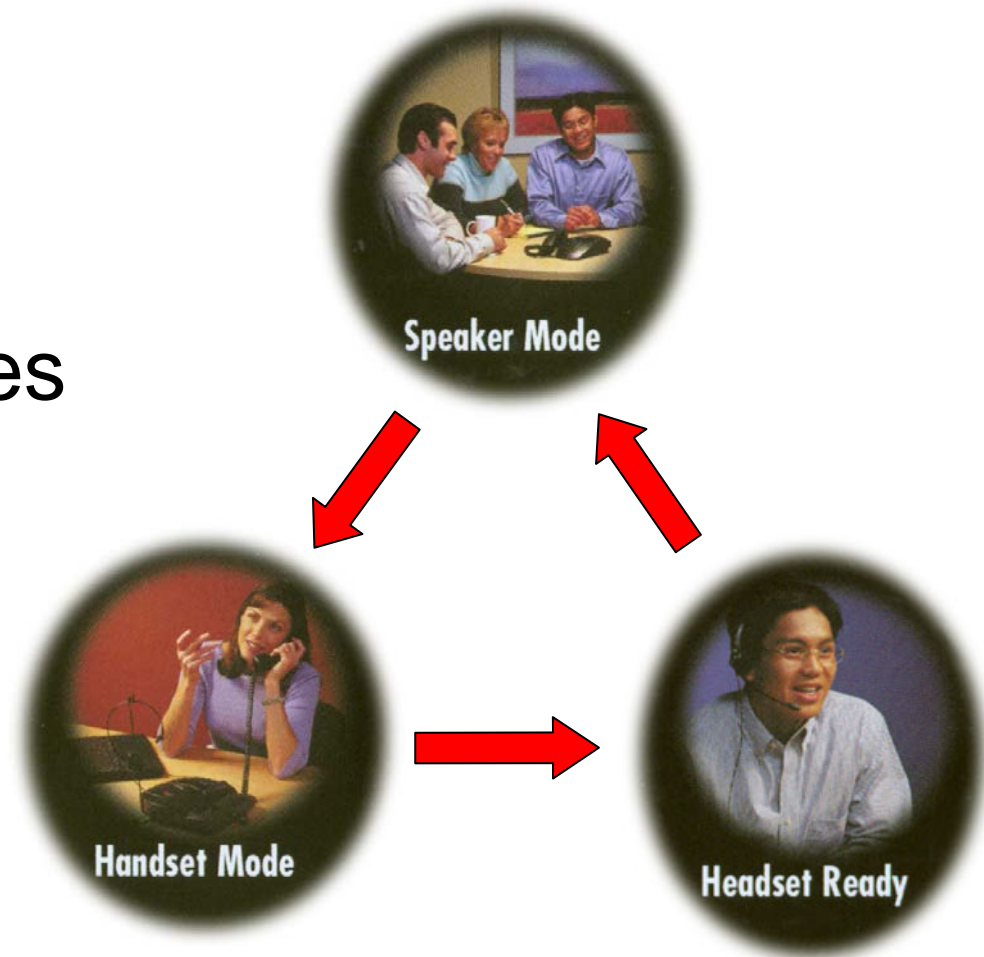
- SoundPoint Pro uses the same full-duplex technology that has made Polycom #1 in Professional Conferencing Systems Worldwide
- With SoundPoint Pro, there's no need to reserve a conference room to have productive group meetings-at-a-distance because the Conference Phone is built right in!

Introducing SoundPoint  3.0

# 3 Integrated Communications Modes for Maximum Flexibility

Change Seamlessly  
Anytime between 3  
Communication Modes

- Speaker Mode
- Handset Mode
- Headset Mode\*



\* With integrated 3.5mm connector, headset hanger, amplifier, and controls

Introducing SoundPoint  3.0

# Standard Feature Set

- Integrated Conference Phone
- Full Duplex Audio
- Speed Dial Directory
- Call ID with Caller ID on Call Waiting (“Type II Caller ID”)
- Call History Directory
- Integrated Headset Connector, Amplifier, Controls, and Hanger
- Independent Volume Controls
- Distinctive Rings for Each Line, Programmable
- Any Key Dialing
- 32 Character LCD Display
- Keypad Activated Rear Microphone (except SE-220)
- . . . And More!

# Introducing SoundPoint Pro 3.0

Models SE-220 & SE-225

*Introducing* SoundPoint  3.0

# What's New: SoundPoint Pro 3.0

- 2 New Models: SE-220 & SE-225
  - Model SE-220: Desktop Conference Phone w/ New Lower Price
  - Model SE-225: Professional Conference Phone w/ Maximum Portability & Functionality
- Improved Audio Quality
  - Faster Full-Duplex (100mips Digital Signal Processor)
  - Louder Maximum Volume
  - Better Far-End Performance
- Expanded Features
  - Improved User Interface
  - More/Better Productivity Tools
  - Support for More Telephone Environments

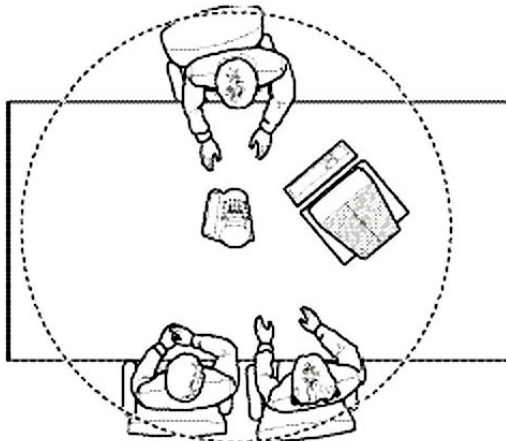


Introducing SoundPoint  3.0

# SE-225 & SE-220 Conferencing Capabilities

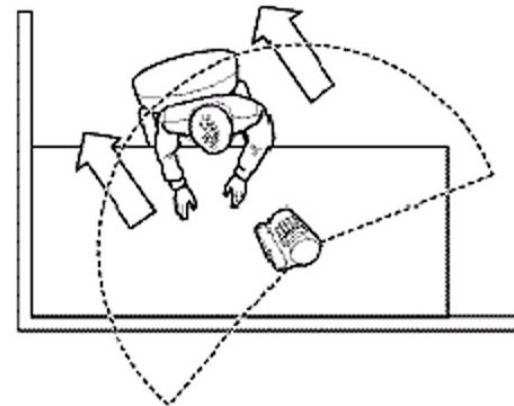
## SE-225

- Dual Mic / Dual Mode 180° and 360° Conferencing for Individuals and Groups
- Keypad Activated Rear Microphone
- New Line Interface Module (LIM) with Single-Cable-to-Console Design and 9 ft. Console Cable for Maximum Portability and “Side Table” Conferences



## SE-220

- Simple Single Mic / Single Mode 180° Conferencing Optimized for Individual Use
- No Rear Microphone
- No Line Interface Module



# What's New: SoundPoint Pro 3.0

- New, Improved User Interface
- Follows the Select/Back, Scroll Up/Down Navigation Model Made Popular by the World's Biggest Cell Phone Manufacturers



Introducing SoundPoint  3.0

# What's New: Expanded 3.0 Feature Set

- New “Portability” Line Interface Module  
(SE-225 Only)
- Data Port  
(SE-225 Only)
- One Touch Speed Dial
- Outgoing Call History
- Programmable Repetitive Redial
- Expanded Message Waiting
- “Clear All” Function for Call History
- . . . And More!

# What's New: New 3.0 Expanded Features

Feature	Description	Benefits
"Portability" LIM (SE-225 only)	New Line Interface Module (LIM), with Single-Cable-to-Console design and 9-foot console cable.	<i>Convenience/Saves Time</i> – Enables maximum portability of the unit for "side table conferencing".
Data Port (SE-225 only)	Allows connection of a laptop computer, Fax machine, or another analog phone.	<i>Convenience /Saves Time Saves Money</i> – no need to install a second phone jack for laptops or Fax. The Data jack is located on the console for quick connection.
One Touch Speed Dial	Lets you dial (up to 10) phone numbers from your Contact List with a single key press.	<i>Saves Time</i> – Dial the people you call most, instantly.
Sort/Search Speed Dial	Quickly sort and locate contact names alphabetically, once located, press Speed Dial to dial	<i>Saves Time</i> – Find contacts fast, speed dial numbers once located.
Outgoing Call History	Tracks the last 99 outgoing phone numbers dialed (and names if dialed from Contact List), in addition to the Incoming Call History Directory.	<i>Convenience</i> – Keep track of people and numbers you have called; speed dial from list.
Programmable Repetitive Redial	Programmable automated redialing for when a busy signal is received. Program number of redial attempts and duration between attempts. Phone rings once a connection is made.	<i>Convenience/Saves Time</i> – Lets the phone do the work of "breaking through" a busy signal, freeing you up to do other activities while waiting.
Expanded Message Waiting <small>("FSK protocol" for the Regional Bell Operating Companies, a.k.a. "The Phone Company". Expanded message waiting for most PBX enterprise phone systems)</small>	If you subscribe to your Phone Company's telephone messaging service (virtual answering machine) the Message Waiting indicator will flash on the line key for which a message is waiting. Messaging Waiting protocols for PBXs have been expanded to cover most manufacturers' protocols.	<i>Convenience</i> – Enables Message Waiting for the latest Message Waiting protocols used by your Phone Company, and by most PBX phone systems.
Clear Call History Directories	By popular demand, the ability to clear all entries at one time from a Call History Directory.	<i>Convenience/Saves Time</i> – Clear the entire directory rather than one-at-a-time.
Flash Timing Menu	An advanced feature, allows the user or telephone network administrator to chose between 3 settings of flash timing for the phone.	<i>Convenience /Saves Time Saves Money</i> – Vary flash timing in the phone, rather than reconfiguring the network.
Power Off Call History Retention	All Call History entries are retained in memory if power is lost to the phone's console.	<i>Convenience/Saves Time</i> – No loss of data if power is lost; no need to re-enter names and numbers.

# Pricing and Availability

- Availability

- North America / CALA: SE-220, SE-225  
Available Now
- EMEA: SE-225 Available July 1, 2001
- APAC: SE-225 Available Late Q3, 2001



Introducing SoundPoint  3.0