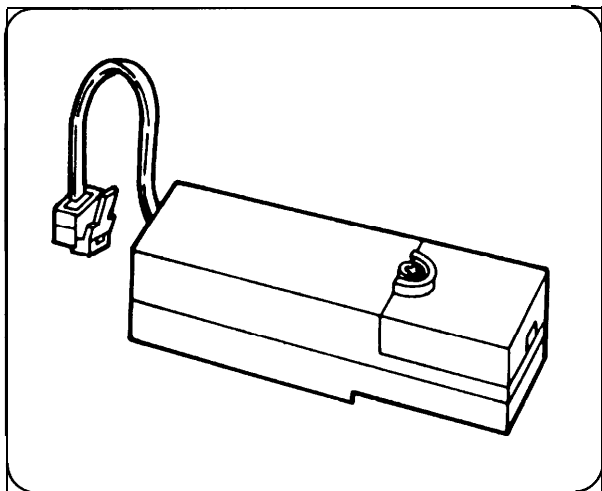


Installation Instructions

Model No. KX-T30866

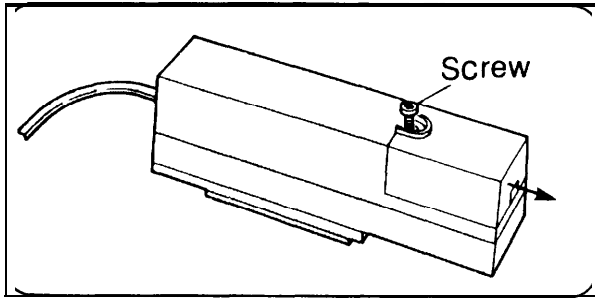
Door Opener Adaptor



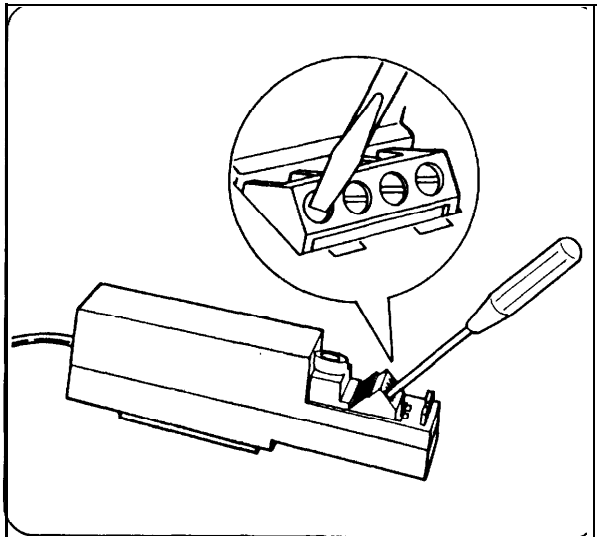
Panasonic

Please read before connection.

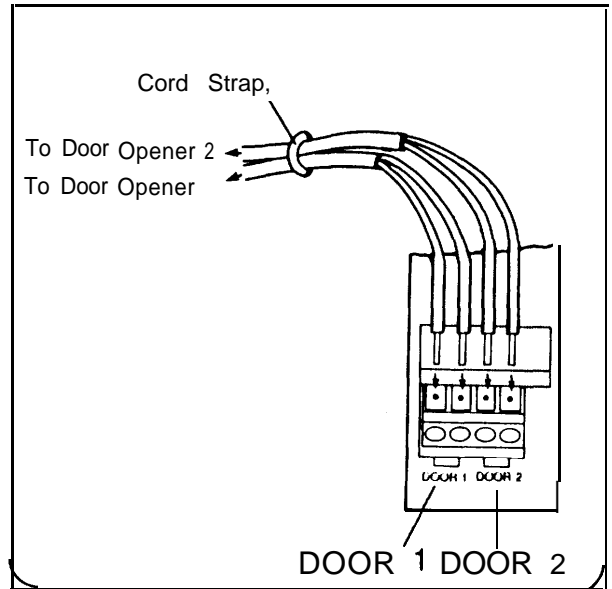
1 Loosen the-screw and remove the cover.



2 Loosen the screws.



3

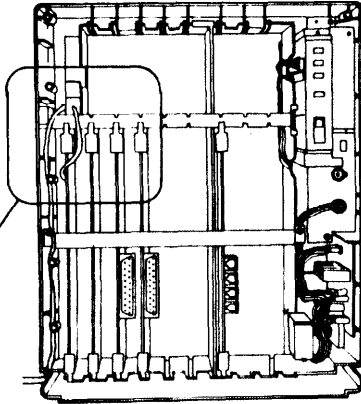


Tighten the screws after connecting it with the wires coming from the door openers then, tighten the cords with the cord strap (included).

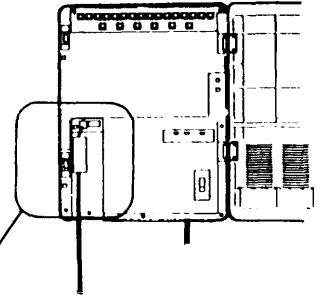
4 Put the cover in position and tighten the screw.

5 INSTALLATION

Connecting to KX-T123211 D

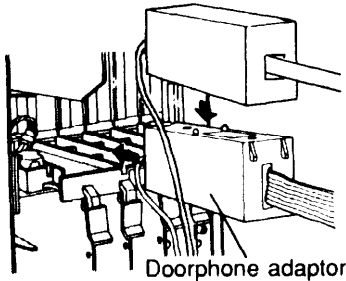


Connecting to KX-T61610 and KX-T30810



①

Door Opener Adaptor (KX-T30866)

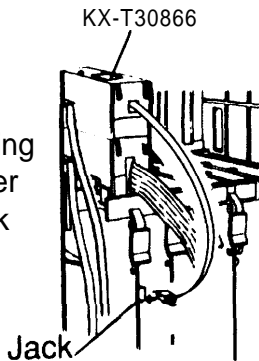


Doorphone adaptor

Fix the door opener adaptor on top of the doorphone adaptor.

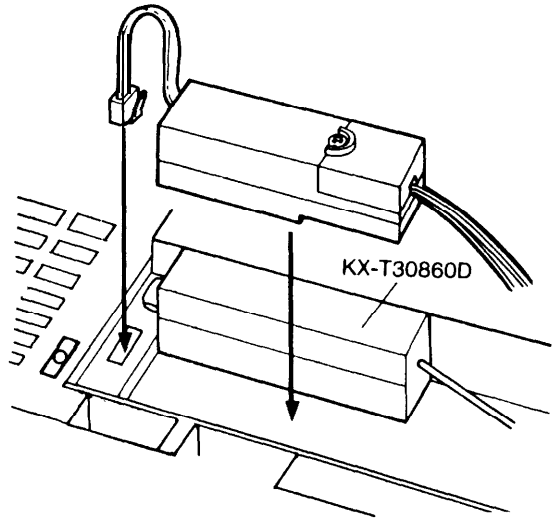
②

Insert the plug coming from the door opener adaptor into the jack on the CPU card.

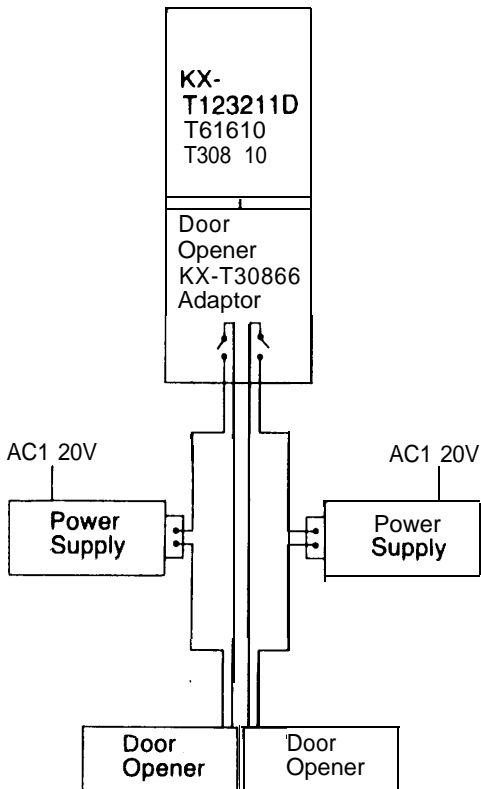


3

Door Opener Adaptor (KX-T30866)



4



5

Note:

- Power Supply, Door Opener and Wiring are not included of the Door Opener Adaptor, KX-T30866.
- For wiring, it is recommended to use **AWG22** twisted wire or thicker wire.
- The relay contact is able to operate with MAX 50V AC, 1 A or MAX 30V DC, 1 A.
- Doorphone 1 must be paired with Door Opener 1 and the same with Doorphone 2 and Door Opener 2.

6