

### **TECHNICAL ASSISTANCE**

When trouble is reported, verify there are no broken connections leading to the speaker.

Assistance in troubleshooting is available from the factory. When calling, you should have a volt-ohm meter available and be calling from the job site. Call (703) 427-3505, [(540) 427-3505 after July 1, 1995], and ask for an Applications Engineer.

CLARITY equipment is not field repairable. CLARITY maintains service facilities in Roanoke, VA. Should repairs be necessary, call CLARITY at the above phone number for a Return Authorization Number.

### **LIMITED WARRANTY**

Clarity warrants its products to be free from defects in materials and workmanship under conditions of normal use and service for a period of one year from the date of shipment. The obligation under this warranty shall be limited to the replacement, repair or refund of any such defective device within the warranty period, provided that:

1. Inspection by Clarity indicates the validity of the claim;
2. The defect is not the result of damage, misuse, or negligence after the original shipment;
3. The product has not been in any way repaired by others and that factory sealed units are unopened (A service charge plus parts and labor will be applied to units defaced or physically damaged);
4. Freight charges for the return of products to Clarity are prepaid;
5. All units 'out of warranty' are subject to a service charge. The service charge will cover minor repairs (major repairs will be subject to additional charges for parts and labor).

**This warranty is in lieu of and excludes all other warranties expressed or implied, and in no event shall Clarity be liable for any anticipated profits, consequential damages, loss of time or other losses incurred by the buyer in connection with the purchase, operation or use of the product.**

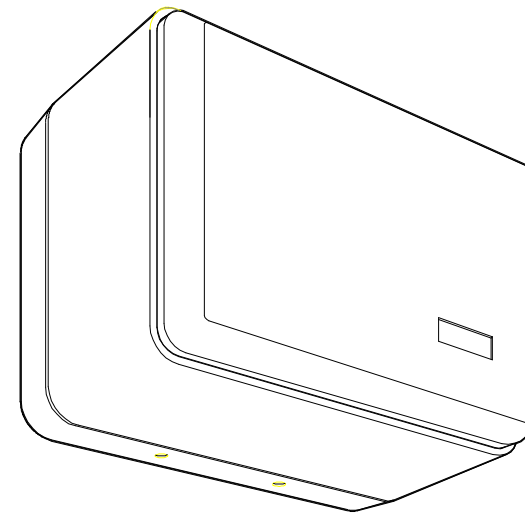
This warranty specifically excludes damage incurred in shipment. In the event a product is received in damaged condition, the carrier should be notified immediately. Claims for such damage should be filed with the carrier involved in accordance with the F.O.B. point.

*Clarity, 1111 Industry Avenue, Roanoke, VA 24013*

## **INSTALLATION INSTRUCTIONS FOR**

# **Clarity®**

## **DESIGNER HIGH FIDELITY SPEAKER**



### **MODEL NO. S-700**

Issue 1, April 1995

947440

## CLARITY DESIGNER HIGH FIDELITY SPEAKER

Clarity's Designer High Fidelity Speaker, Model S-700, is designed for areas that require a stylish appearance. This speaker incorporates a speaker/transformer/baffle assembly for use with any Clarity Mixer-Amplifier to provide quality background music and speech indoors or out. The speaker can operate on 70 or 100 volt speaker lines or connect direct to an 8 ohm output, thus bypassing the transformer. Audio level adjustments can be made by the externally accessible rotary tap switch. Two input connectors are provided to allow easy "chaining" of the speakers. The speaker is available in white, off white, bronze, or black with a color coordinated cloth grille.

Model S-700BK - Black  
 Model S-700WH - White  
 Model S-700BR - Bronze  
 Model S-700OW - Off White

### TECHNICAL SPECIFICATIONS

Frequency Response	70 Hz to 20KHz +/- 3dB
Max. Power Capability	30 watts
SPL 1 watt/1 meter 1KHz	93 dB @ 1 KHz
Woofer	5" w/10 oz. magnet
Tweeter	1" Mylar Dome
Impedance (Direct)	8 ohm
Transformer	70 or 100 Volt

### WIRING

Insert one wire of input to (+) and the other to (-). Secure wire by pushing lever which clamps wire (Fig. 1). Each terminal will accept 18 to 24 gauge speaker wire. Adjust volume by selecting appropriate tap setting (See Fig. 2 for location).

Tap Setting	100V Watts	70V Watts	Ohms
1	1.0	.5	10667
2	1.9	1.0	5333
3	3.8	1.9	2667
4	7.5	3.8	1333
5	15	7.5	667
6	30	15	333
7	Do Not Use	30	167
8	Open	Open	---
9	DIRECT 8 OHM	DIRECT 8 OHM	8

**WARNING:** Switch setting NINE (9) is used on 8 ohm speaker lines. Do not use Switch setting NINE (9) on 70 or 100 Volt speaker lines.

## MOUNTING

1. The baffle can be hung from a nail or hook by the "keyhole" that is attached to the back of the housing (Figure 1).
2. The unit can be mounted to an optional mounting bracket, (S-BKT). This bracket can then be secured to a surface. The bracket is attached to the speaker brass inserts with screws provided. (Figure 2).

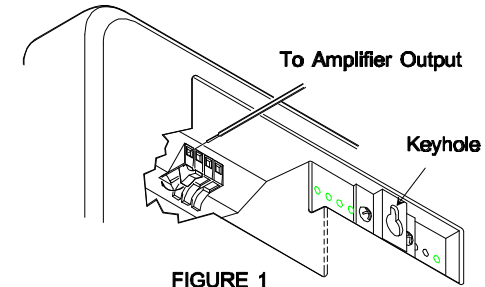


FIGURE 1

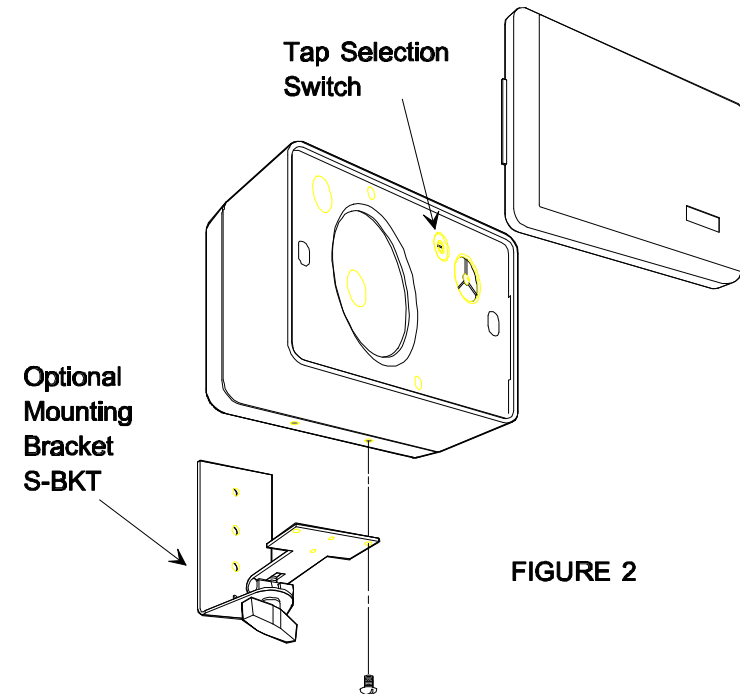


FIGURE 2

